



## Hercules (PLS)

400w-1250w

---

## Spec Sheet

Version 1.0  
August 9, 2017

Hercules is one of the world's highest output and compact LED Luminaires, designed for Stadiums, Tribunes and tower lighting applications

## Features & Benefits

- Up to 1250W and over 130,000 luminous flux
- Unique, fold fin heatsink technology greatly reduces thermal density and maintains a low LED junction temperature
- Full range of optics for a wide variety of professional lighting applications
- Protective UV stabilized powder coated finish
- IP65 weather resistant
- 0-10V or DALI Dimming options and compatible with all leading lighting control systems

## Applications

Designed for applications such as;

- High Mast
- Sports stadiums
- Ports
- Indoor arenas
- Railyards
- Airport Apron

## Technical Specification

Description	Hercules LED Sports Lighter (PLS) Sports field and high mast applications				
Recommended Product Location	LUX-PLS-400	LUX-PLS-600	LUX-PLS-800	LUX-PLS-1000	LUX-PLS-1250
Model	LUX-PLS-400	LUX-PLS-600	LUX-PLS-800	LUX-PLS-1000	LUX-PLS-1250
LED Max Power (W)	400w	600w	800w	1000w	1150
Typical System Power (W)	440w	660w	880w	1100w	1280w
Typical Luminous Flux (lm)	46,000	69,000	92,000	115,500	132,000
Dimensions (mm)	533x365x518	533x365x518	643x455x565	643x455x565	643x455x565
Weight (kg)	20	20	31	31	31
Light Source	Lumileds Luxeon TX (default) / Osram Oslon Square / Cree XPG3				
Correlated Colour Temperature	3000K, 4000K, 5000K, 5700K, 6500K				
Colour Rendering Index	>70 or >80 available				
System Efficacy	105 lm/w				
LED Junction Temp.	≤75°C (@ Ta=25°C)				
Light Distribution Options	10°x10°, 15°x15°, 30°x30°, 60°x60°				
Driver	Meanwell / Philips				
Input Voltage Range	100-305VAC 50/60Hz				
Power Factor	> 0.90				
Electrical Class	Class I				
Dimming Control (optional)	0-10V, DALI				
Ambient Operating Temperature	-40°C to +45°C				
Ambient Storage Temperature	-25°C to +80°C				
Material	Aluminium				
Optical Cover	Tempered glass				
Finish	Black powder coated (customized RAL colour available upon request)				
Ingress Protection (IP)	IP65				
Batch Coded	Yes				
Certification	CE, CB, SAA, ETL				

## Accessories

### Sensor compatible

Bracket design can be custom made for different sensors (ordered separately)

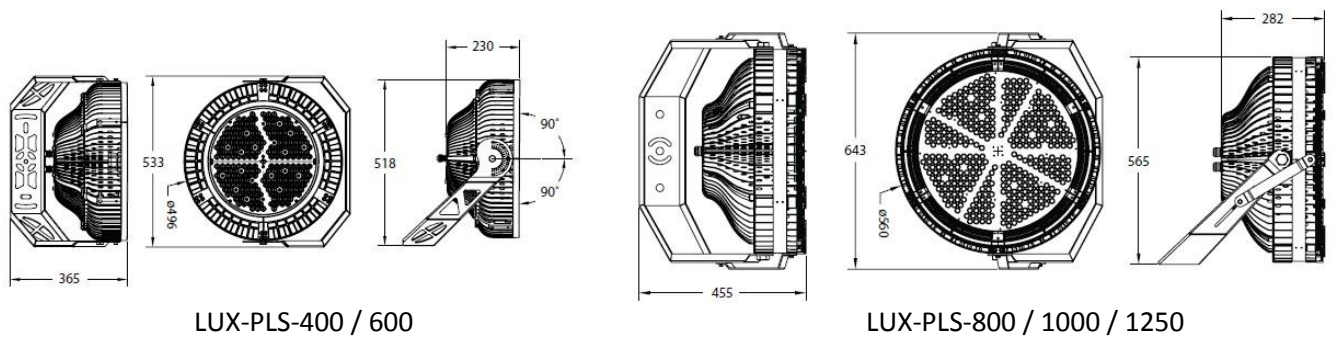
### Aiming Laser

For simple aiming when installing

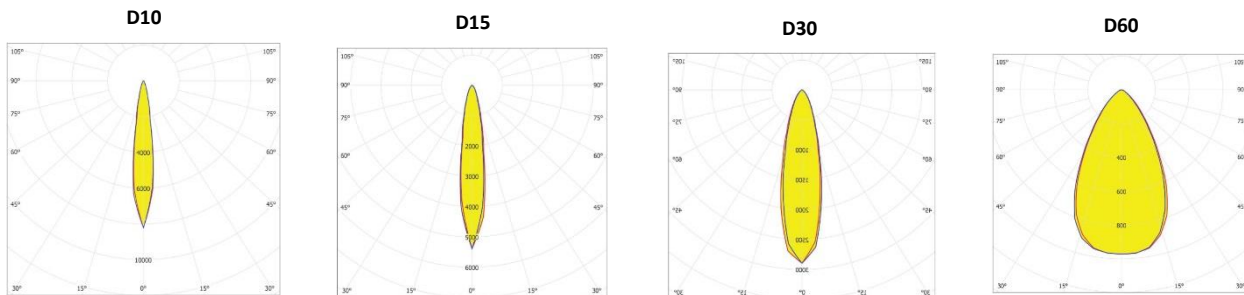
### Bullseye



## Dimensions



## Photometrics



30°x30°

60°x60°

## Ordering Information

Product ID	LED Power	Color Temp	CRI	Optics	Control
PLS	400 = 400W 600 = 600W 800 = 800W 1000 = 1000W 1250 = 1250W	40K = 4000K 50K = 5000K 57K = 5700K	70 = Min 70 80 = Min 80	D10 = 10°x10° D15 = 15°x15° D30 = 30°x30° D60 = 60°x60°	ND = Non-Dimmable VD = 0-10V Dimmable DD = DALI Dimmable

Note: Actual performance may differ as a result of end-user environment and application. All values are typical values, measured under laboratory conditions at 25 °C. Specifications subject to change without notice.