

Plusrite®

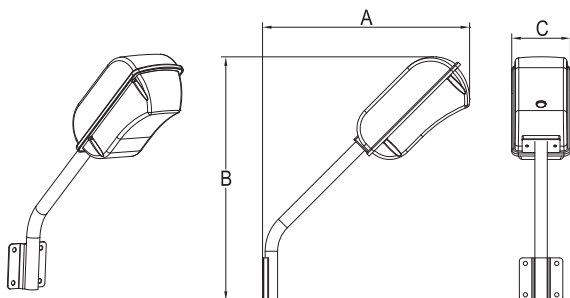
Turning Light into Savings ▶▶▶

⚠WARNING

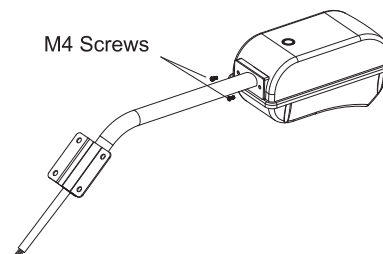
- Make sure that the power is turned OFF before performing unit installation. Carefully read and follow installation instruction to avoid risk of electric shock.
- Any wiring or maintenance work should be performed by a qualified technician.
- The wall should have enough strength to hold the fixture.
- The operating temperature of this fixture is -20~50°C, and storage temperature is -30~60°C.

TECHNICAL SPECIFICATIONS:

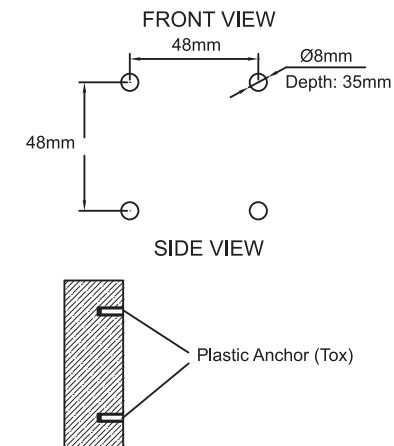
Item Code	Wattage	Operating Voltage	Net Weight	Dimensions (A x B x C mm)
LED-FXMS20	20W	90-265VAC 50/60Hz	0.65 Kg.	320 x 375 x 90



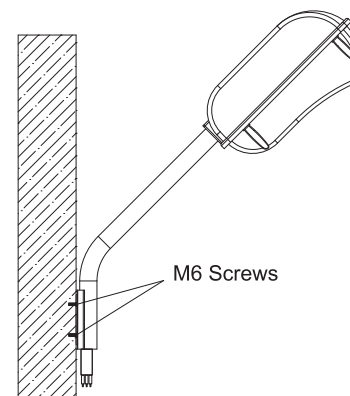
1. Use M4 screws to mount the pole into the fixture. (Ensure screws are tightened.)



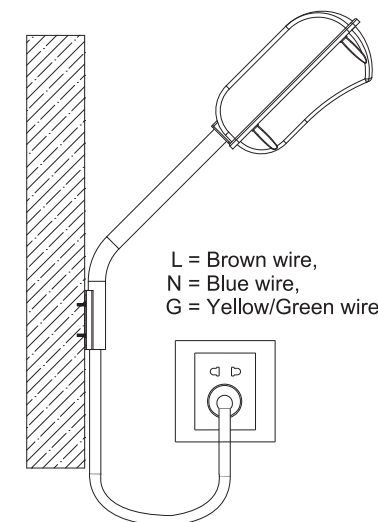
2. Drill four holes on the wall as below diagram, and put the plastic anchor into the hole.



3. Use M6 screws to install the pole onto the wall. (Ensure screws are tightened.)



4. Insert the plug into the waterproof socket or connect the power unit line.



Plusrite Australia Pty Ltd Address:

18 Lakewood Boulevard Carrum Downs,
Victoria 3201, Australia.

Tel: +61 (0) 3 97082552
Fax: +61 (0) 3 97082553,
Email: sales@plusrite.com.au

Made in China