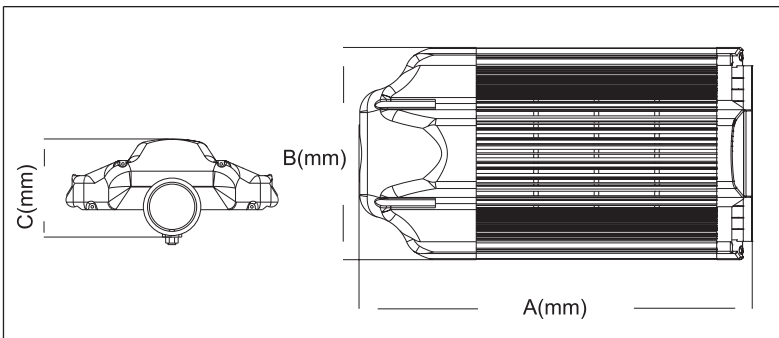
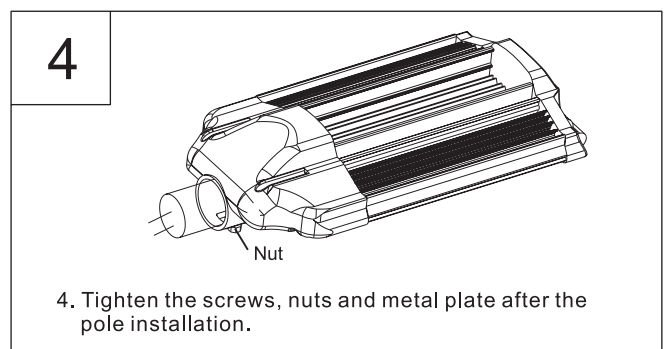
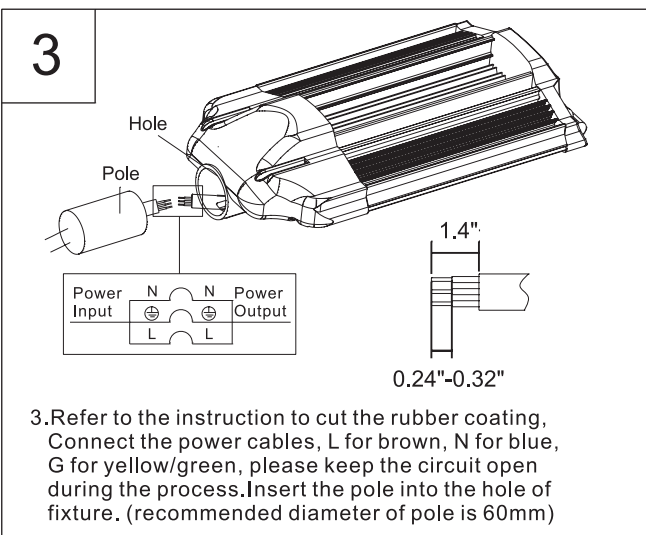
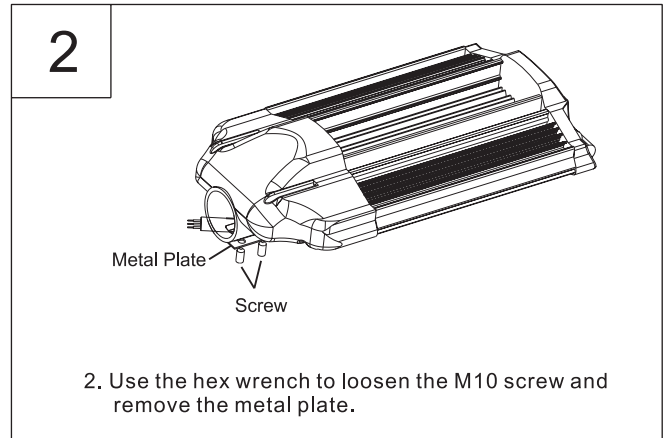
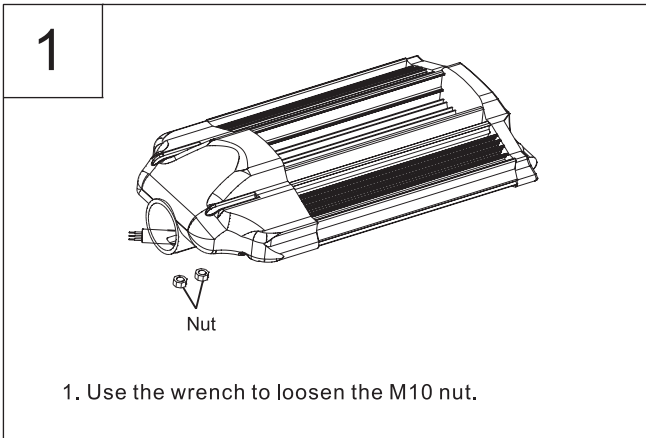


Item	Power	Voltage	Frequency	Weight	A	B	C
Street Light	50W	90-305V	50/60Hz	3.1kg	275	280	130
Street Light	80W	90-305V	50/60Hz	4.3kg	357	280	130
Street Light	120W	90-305V	50/60Hz	5.3kg	438	280	130
Street Light	160W	90-305V	50/60Hz	6.3kg	520	280	130
Street Light	200W	90-305V	50/60Hz	7.4kg	600	280	130



Warning

1. Ensure power is off before starting installation wiring or attempting any maintenanceshould be performed by a person familiar with the construction and operation of the product and hazards involved to ensure personal safety.
2. All work should be performed by a qualified electrician.
3. The pole should have the enough strength for installing the fixture; Its endurance must be more than the weight of fixture.



Distributed By: Plusrite Australia Pty Ltd
 Address: 18 Lakewood Boulevard
 Carrum Downs, Victoria 3201, Australia.
 Tel: +61 (03) 97082552, Fax: +61 (03) 97082553,
 Email: sales@plusrite.com.au
 Made in China