

LED SHOEBOX

ZAPLED-FXSB240/3S/50K/DB-SF



It comes with MT-SF/DB.
MT-SB/DB and MT-EA6/DB are optional.



Slipfitter (Item code: **MT-SF/DB**)



Swivel Bracket (Item code: **MT-SB/DB**)



6" Extruded Arm (Item code: **MT-EA6/DB**)

5 Year Warranty



Product Description

Advantages:

1. Super bright Cree MH-B LED chips with high efficiency.
2. Stable quality with little lumen decrease.
3. Long life time.
4. Energy friendly, less heat emission.
5. Free from mercury, lead, and carbon emission.
6. Low maintenance and replacement costs.
7. Power Factor is more than 0.90.

Application:

1. Outdoor Lighting.
2. Suitable for Parking area, Tennis court, Factory, Stadium and other places.

Application Notice:

1. Working Temperature: -25°C to 50°C
2. Storage Temperature: -30°C to 60°C
3. Best Working Temperature: 0°C to 30°C

Packing Details:

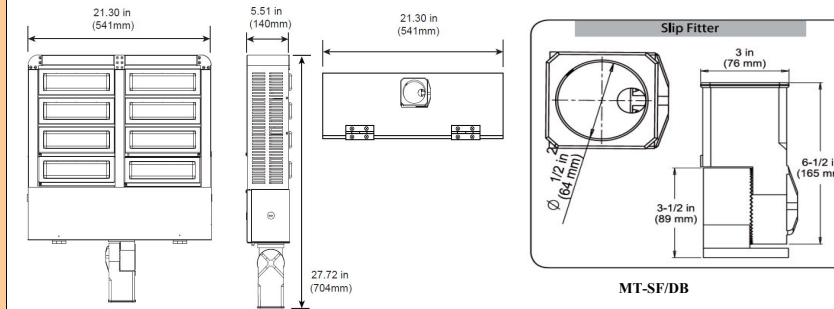
1. Net Weight: 16.72 kg
2. Outer ctn size: 800*625*215 mm
3. Q'ty per ctn: 1 pc
4. G.W per ctn: 18.22 kg

Product Details

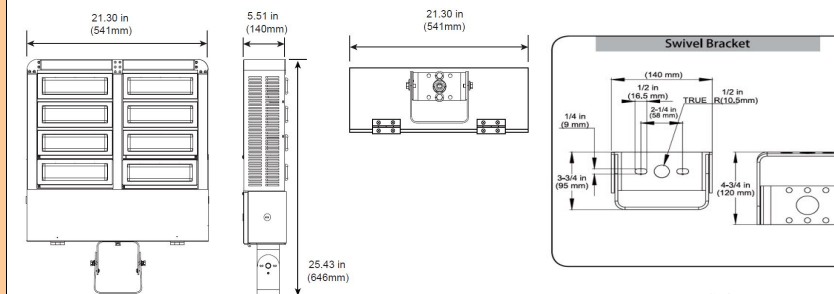
Technical Specifications:

Model	LED Chip Type	LED Chip Brand	LED Chip Qty	Color Temperature	Voltage (V)	Beam Angle	Wattage (W)	Luminosity (lm)	CRI(Ra)	IP Rate	Flex-In-Plug	Dimmable
ZAPLED-FXSB240/3S/50K/DB-SF	SMD	Cree	64	5K	100-277	110°	240	25500	>70	IP66	Yes (0.5 meter length)	Yes (0-10V)

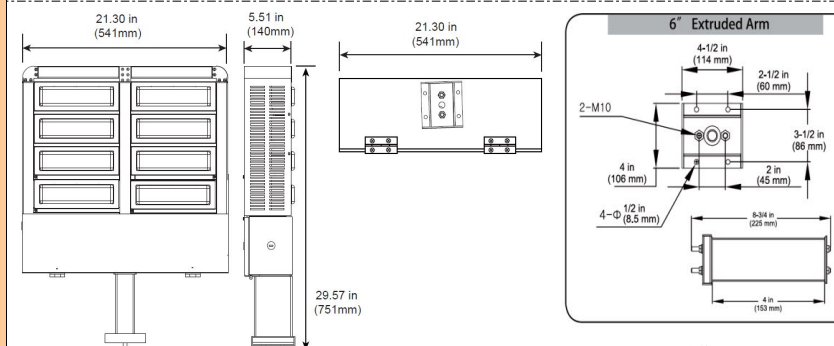
Product Dimension:



MT-SF/DB

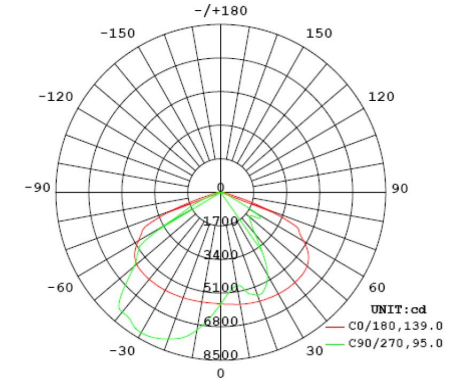


MT-SB/DB



MT-EA6/DB

Optical Parameters



UNIT : cd
— C0/180, 139.0
— C90/270, 95.0

Application :

