

**Plusrite**<sup>®</sup> AUSTRALIA PTY LTD

LED 30W Street lamp

Model No.:  
MLA-30W-4K-E27



Replacing 80W Mercury Vapour Lamp

4 Year Warranty



RoHS  
COMPLIANT



**Product Description**

**Advantages:**

1. Super bright SMD2835 LED chips with high efficiency.
2. Stable quality with little lumen decrease.
3. Long life time.
4. Energy friendly, less heat emission.
5. Free from mercury, lead, and carbon emission.
6. No IR- and UV radiation, low heat radiation.
7. Low maintenance and replacement costs.
8. PF value is more than 0.9.

**Application:**

1. Replacing 80W Mercury Vapour Lamp.
2. Shopping centre, Hotel and Restaurant and other places.

**Application Notice:**

1. Working Temperature: -30°C - 50°C
2. Storage Temperature: -40°C - 65°C
3. Best Working Temperature: 0°C - 30°C

**Packing Details:**

1. Net Weight: 0.40 kg
2. Outer ctn size: 380mm x 380mm x 395mm
3. Q'ty per ctn: 50 pcs
4. G.W per ctn: 23.50 kg

**Plusrite**<sup>®</sup> AUSTRALIA PTY LTD

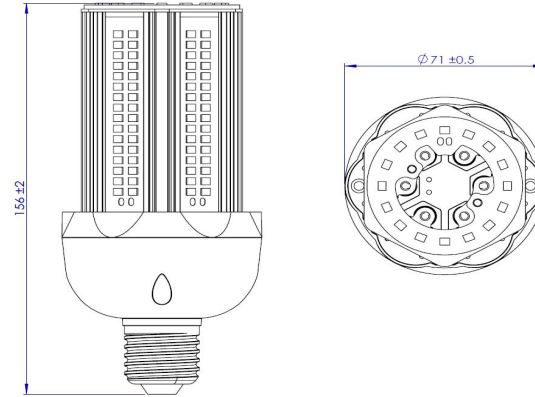
**Product Details**

LED 30W Street Lamp to Replace 80W Mercury Vapour Lamp/ Can run on ballast or mains voltage

**Technical Specifications:**

Model	LED Chip Type	LED Chip Q'ty (pcs)	Colour Temperature	Voltage (V)	Beam Angle	Wattage (W)	Luminosity (lm)	CRI(Ra)	IP Rate	Cap	Dimmable		
MLA-30W-4K-E27	SMD 2835	208	4K	90-305	270°	30	3900	>80	20	E27	No		

**Product Dimension:**



UNIT: mm

**Application :**



**Optical Parameters**

