

Plusrite®

LED POST TOP LIGHT

Suitable for 60-64mm pole
It come with dusk to dawn sensor



Key Features

- Excellent thermal design; Reducing Heat and extending life of LED chips.
- Unique design provides 50,000 hours life
- Aluminum die-casting housing
- IP65 Rated for outdoor use
- 5 year warranty
- SMD LED chips with high efficiency
- Flex In Plug



FX16PST-35W/840/BK-SEN

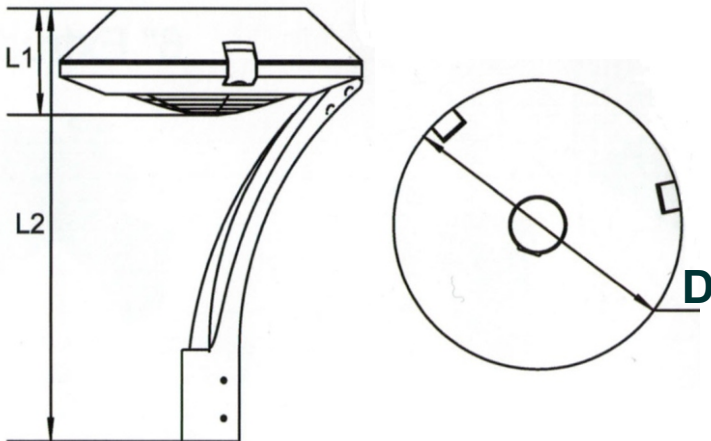
Applications

- Landscape Lighting
- Residential Areas
- Industrial Areas

TECHNICAL SPECIFICATIONS

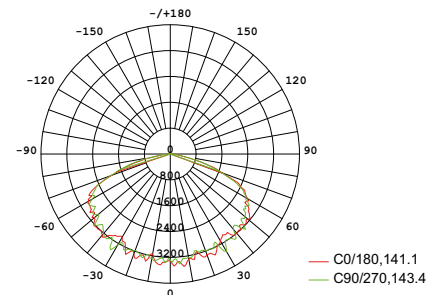
Model.	LED TYPE	LED Q'ty (pcs)	Colour Temperature	Voltage (V)	Beam Angle	Wattage (W)	Luminosity (lm)	CRI(Ra)	Power Factor	Finish	Warranty	IP RATING	Dimmable
FX16PST-35W/840/BK-SEN	SMD	60pcs	4K	100~277V	120°	35W	4200lm	>80	>0.95	Black	5 years	IP65	1-10V

Product Dimension: (mm)



L1:140MM L2:570MM D:400MM

PHOTOMETRY



Product: **FX16PST-35W/840/BK-SEN**

Net Weight: 6.00 kg
Outer ctn size: 420*420*255mm
Q'ty per ctn: 1 pc
G.W per ctn: 7.00 kg