

Plusrite®

LED SOLAR LIGHT RANGE

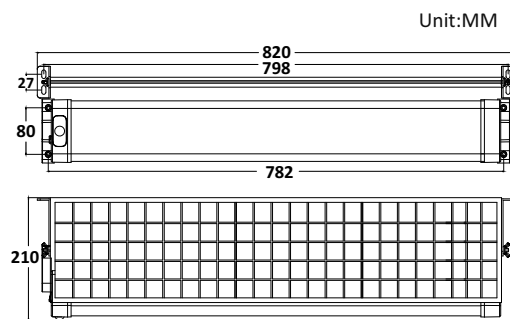
PRODUCT DETAILS



PLS-BAT60W-6K

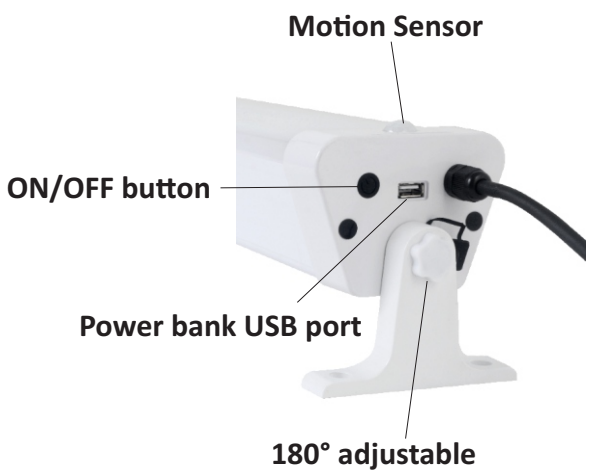
Key Features

- 60W 6K Solar LED Batten light
- No AC power cables
- No electrical charges
- Mono-Crystalline Solar panel
- Lithium battery
- Power bank for 5V USB Charging
- Build-in dusk to dawn sensor



Unit:MM

MODEL NUMBER	Wattage	Materials	LED CHIPS	LED Q'ty (pcs)	LUMENS	CCT	Solar Panel	Battery	Charging Time	Discharging Time	CRI	DIMMABLE	Warranty
PLS-BAT60W-6K	60W	Aluminium+PC	SMD2835	240	6500lm	6K	9V 28W	6.4V 24AH	6-8 Hours	10-12 Hours	> 80	No	3 year
PLS-RC	Remote controller for LED solar street light, batten light and Flood light.												



PACKING DETAILS:

Product: PLS-BAT60W-6K
Net Weight: 2.50 kg
Outer ctn size: 850*305*255mm
Q'ty per ctn: 6 pc **G.W per ctn:** 18.50 kg

REMOTE CONTROLLER INSTRUCTION

Mode button:
 Mode 1: Motion sensor mode, starts with 100% lumen output then standby 30% lumen output if no motion after dusk.
 Mode 2: Constant 100% brightness after dusk.
4H & 6H button: Hours lasting for 100% brightness after dusk, then turns off.
ON button: The light is on with mode 1.
OFF button: The light turns off.



PRODUCT DETAILS

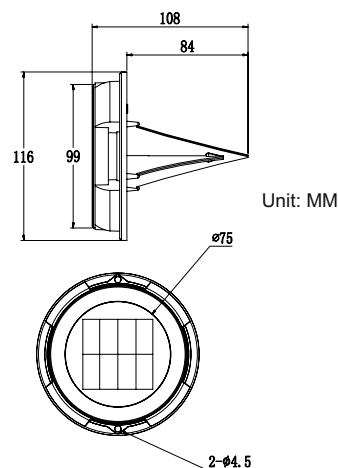


Key Features

- 2W Solar LED Garden light
- No AC power cables, no electrical charges
- Polycrystalline Solar panel
- Lithium battery
- Build-in dusk to dawn sensor

PACKING DETAILS:

Product: PLS-2W-GL-3K/5K/B
Net Weight: 0.46 kg
Outer ctn size: 380*200*295mm
Q'ty per ctn: 30 pcs
G.W per ctn: 16.50 kg



Unit: MM

MODEL NUMBER	Wattage	Materials	LED CHIPS	LED Q'ty (pcs)	LUMENS	CCT	Solar Panel	Battery	Charging Time	Discharging Time	CRI	DIMMABLE	Warranty
PLS-2W-GL-3K	2W	PLASTIC	SMD5730	15	180lm	3K	2V 0.6W	1.2V 1.8AH	6-8 Hours	10-12 Hours	> 80	No	3 year
PLS-2W-GL-5K	2W	PLASTIC	SMD5730	15	200lm	5K	2V 0.6W	1.2V 1.8AH	6-8 Hours	10-12 Hours	> 80	No	3 year
PLS-2W-GL-B	2W	PLASTIC	SMD5730	15	N/A	Blue	2V 0.6W	1.2V 1.8AH	6-8 Hours	10-12 Hours	> 80	No	3 year