

Plusrite®

LED TRI PROOF LINEAR BATTEN RANGE



NEW COLOUR TEMPERATURE CHANGEABLE BATTEN LIGHTS



SL-TRI-CDT86F20/S
BAT-20W-G
BAT-20W-G-E



Emergency
IP65



SL-TRI-CDT170F40/S
BAT-40W-G
BAT-40W-G-E

Key Features



- Batten with motion sensor (optional), motion detection up to 10 meters, no motion detection after 30 seconds, it will drop to 10% lumen output.
- Long life, Unique design provides 50,000 hours life.
- Easy replacement and installation.
- Frosted cover to decrease the glare.
- SMD2835 LED chips with high efficiency.
- IP65 and IK10 Rated with 3 year warranty.
- Colour Temperature 4K 6K Changeable.
- Working temperature: -20°C to 40°C



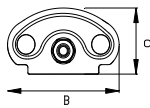
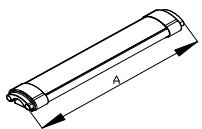
Applications

- Office, Shops, Warehouse, Car parking area, Home, Supermarket, etc.

Model.	LED Type	Length	Colour Temperature	Voltage (V)	Beam Angle	Wattage (W)	Luminosity (lm)	CRI(Ra)	MOTION SENSOR	EMERGENCY POWER	IP RATING	Dimmable
* SL-TRI-CDT86F20/S	SMD2835	2ft	4K 6K	200~265V	120°	20W	1800lm	>80	YES	NO	IP65	NO
BAT-20W-G	SMD2835	2ft	GREEN	200~265V	120°	20W	N/A	>80	NO	NO	IP65	NO
* BAT-20W-G-E	SMD2835	2ft	GREEN	200~265V	120°	20W	N/A	>80	NO	YES	IP65	NO
* SL-TRI-CDT170F40/S	SMD2835	4ft	4K 6K	200~265V	120°	40W	3600lm	>80	YES	NO	IP65	NO
BAT-40W-G	SMD2835	4ft	GREEN	200~265V	120°	40W	N/A	>80	NO	NO	IP65	NO
* BAT-40W-G-E	SMD2835	4ft	GREEN	200~265V	120°	40W	N/A	>80	NO	YES	IP65	NO

*SL-TRI-CDT86F20/S and SL-TRI-CDT170F40/S: Microwave Motion Sensor.

*BAT-20W-G-E and BAT-40W-G-E: 6W Emergency Power with Lithium battery minimum 3 hours or more.



Model	Size A(mm)	Size B(mm)	Size C(mm)
SL-TRI-CDT86F20/S	608	84	46
BAT-20W-G	608	84	46
BAT-20W-G-E	608	84	46
SL-TRI-CDT170F40/S	1218	84	46
BAT-40W-G	1218	84	46
BAT-40W-G-E	1218	84	46

Product: SL-TRI-CDT86F20/S
BAT-20W-G
BAT-20W-G-E

Net Weight: 0.82 kg

Outer ctn size: 688*380*225mm

Q'ty per ctn: 16 pcs

G.W per ctn: 14 kg

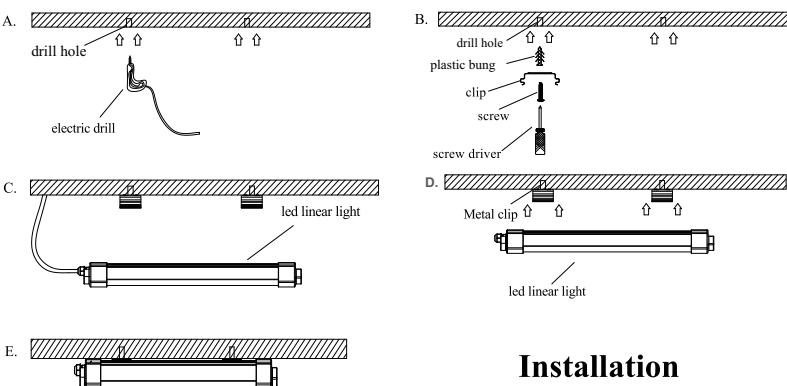
Product: SL-TRI-CDT170F40/S
BAT-40W-G
BAT-40W-G-E

Net Weight: 1.40 kg

Outer ctn size: 1298*380*225mm

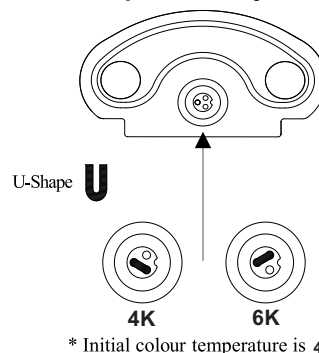
Q'ty per ctn: 16 pcs

G.W per ctn: 23.9 kg

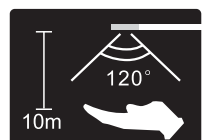


Installation

Colour Temperature adjust by U-Shape



* Initial colour temperature is 4K



Microwave Sensor

- ★ Detection angle: 120°
- ★ Detection distance: 10m