

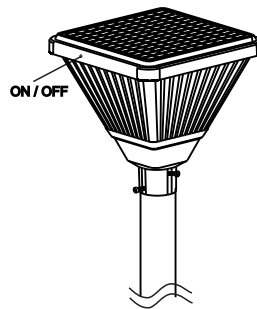
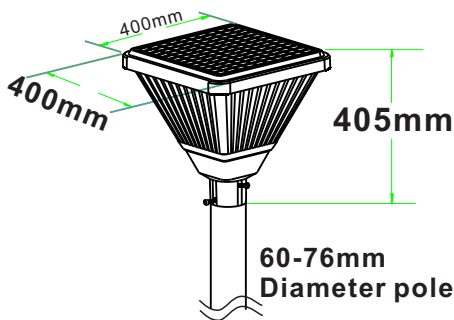
PRODUCT DETAILS



PLS-20W/PTG

Key Features

- 20W Solar LED Post Top light
- No AC power cables, no electrical charges
- Polycrystalline Solar panel
- Lithium battery
- Build-in dusk to dawn sensor
- Suitable for 60-76mm diameter pole



PACKING DETAILS:

Product: **PLS-20W/PTG**

Net Weight: 5.00 kg

Outer ctn size: 410*410*450mm

Q'ty per ctn: 1 pc

G.W per ctn: 5.90 kg

MODEL NUMBER	Wattage	Materials	LED CHIPS	LED Q'ty (pcs)	LUMENS	CCT	Solar Panel	Battery	Charging Time	Discharging Time	CRI	DIMMABLE	Warranty
PLS-20W/PTG	20W	Aluminium+PC	SMD2835	50	2000lm	5K	6V 18W	3.2V 36AH	6-8 Hours	12-14 Hours	> 80	No	3 years

PRODUCT DETAILS



PLS-25W/PTG

Key Features

- 25W Solar LED Post Top light
- No AC power cables, no electrical charges
- Polycrystalline Solar panel
- Lithium battery
- Build-in dusk to dawn sensor
- Suitable for 60-76mm diameter pole



PACKING DETAILS:

Product: **PLS-25W/PTG**

Net Weight: 9.00 kg

Outer ctn size: 590*570*500mm

Q'ty per ctn: 1 pc

G.W per ctn: 10.00 kg

MODEL NUMBER	Wattage	Materials	LED CHIPS	LED Q'ty (pcs)	LUMENS	CCT	Solar Panel	Battery	Charging Time	Discharging Time	CRI	DIMMABLE	Warranty
PLS-25W/PTG	25W	Aluminium+PC	SMD2835	65	2500lm	5K	5V 25W	3.2V 30AH	6-8 Hours	12-14 Hours	> 80	No	3 years