

# Plusrite®

## LED MINI STREET LIGHT



RoHS  
COMPLIANT



### Key Features

- Excellent thermal design; Reducing Heat and extending life of LED chips.
- Long life, Unique design provides 50,000 hours life.
- IP65 Rated for outdoor use.
- Hardwired to the main power.
- SMD LED chips with high efficiency.
- 3 year warranty.

### Applications

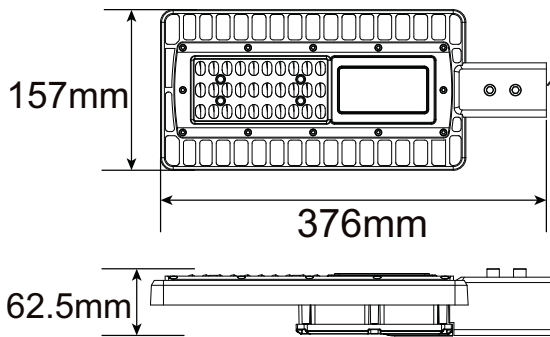
- Street Lighting
- Residential Areas
- Industrial Areas
- Bridges

## FXTBSL30/5K

### TECHNICAL SPECIFICATIONS

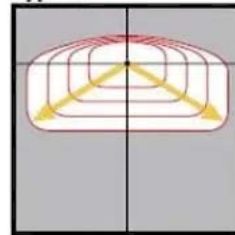
Model.	LED TYPE	LED Q'ty (pcs)	Colour Temperature	Voltage (V)	Beam Angle	Wattage (W)	Luminosity (lm)	CRI(Ra)	Suitable Pole Diameter	Warranty	IP RATING	Dimmable
FXTBSL30/5K	SMD2835	30pcs	5K	90~265V	Type II	30W	3000lm	>70	38~42mm	3 years	IP65	NO

### Product Dimension: (mm)



Adjustable to fit 38–42mm Diameter pole.

Type II



Beam Angle: Type II

### PACKING DETAILS:

Product: FXTBSL30/5K  
 Net Weight: 1.35 kgs  
 Outer ctn size: 395\*340\*380mm  
 Q'ty per ctn: 10 pcs  
 G.W per ctn: 15.80 kgs

Distribution

