

### PRODUCT DETAILS



PLS-FL100W-6K/B



PLS-FL200W-6K/B



PLS-FL300W-6K/B



### Key Features

- Solar LED Flood light
- No AC power cables, no electrical charges
- Die-Casting Aluminium body
- Polycrystalline Solar panel
- Lithium battery, Remote controller included
- 5M length cable from the flood light to the solar panel
- Build-in dusk to dawn sensor

### PACKING DETAILS:

Product: PLS-FL100W-6K/B Light  
 PLS-FL200W-6K/B Light  
 PLS-FL300W-6K/B Light

Net Weight: 2.80 / 5.50 / 8.00 kg  
 Outer ctn size: 545\*345\*285mm  
 510\*420\*380mm  
 460\*365\*445mm

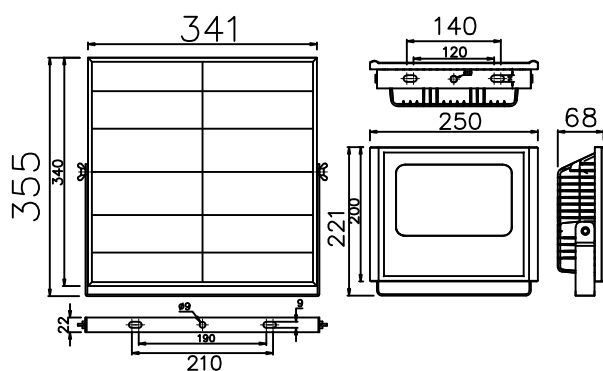
Q'ty per ctn: 6 / 4 / 2 pc  
 G.W per ctn: 19.50 / 25.50 / 17.00 kg

Product: PLS-FL100W-6K/B Solar Panel  
 PLS-FL200W-6K/B Solar Panel  
 PLS-FL300W-6K/B Solar Panel

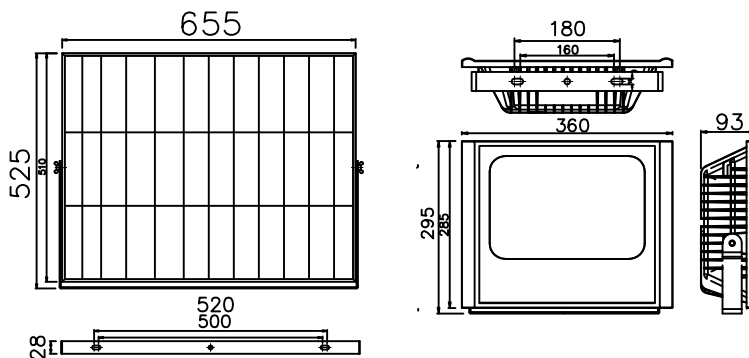
Net Weight: 2.20 / 4.50 / 5.00 kg  
 Outer ctn size: 525\*175\*365mm  
 685\*145\*550mm  
 685\*170\*550mm

Q'ty per ctn: 6 / 4 / 4 pc  
 G.W per ctn: 16.00 / 20.00 / 21.00 kg

MODEL NUMBER	Wattage	Materials	LED CHIPS	LED Q'ty (pcs)	LUMENS	CCT	Solar Panel	Battery	Charging Time	Discharging Time	CRI	DIMMABLE	Warranty
PLS-FL100W-6K/B	100W	Die-Casting Aluminium	SMD5730	224	12000lm	6K	9V 25W	6.4V 18Ah	6-8 Hours	10-12 Hours	> 80	No	3 years
PLS-FL200W-6K/B	200W	Die-Casting Aluminium	SMD5730	424	24000lm	6K	18V 30W	12.8V 30Ah	6-8 Hours	10-12 Hours	> 80	No	3 years
PLS-FL300W-6K/B	300W	Die-Casting Aluminium	SMD5730	584	36000lm	6K	6V 65W	3.2V 96Ah	6-8 Hours	10-12 Hours	> 80	No	3 years
PLS-RC	Remote controller for LED solar street light, batten light and Flood light.												

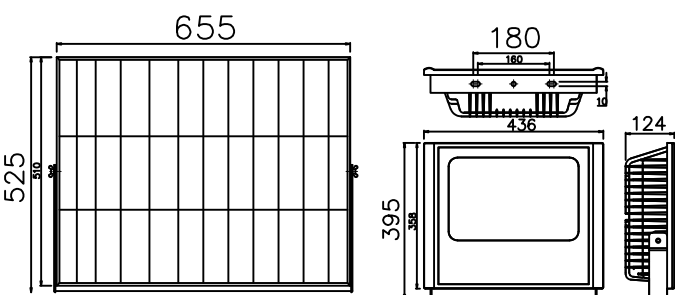


PLS-FL100W-B



PLS-FL200W-B

Unit: MM



PLS-FL300W-B

### REMOTE CONTROLLER INSTRUCTION

**Changing Modes:** Press the ON button, the light will be on Mode 1, then press the MODE button, the light will be changing to Mode 2. Press the MODE button again, the light will be changing to Mode 1.

**Mode 1:** The light will be on after dusk.

**Mode 2:** The light will be on at daytime and night time.

**4H & 6H button:** Hours lasting for the light is on after dusk, then turns off.

**ON button:** The light is on with mode 1.

**OFF button:** The light turns off.



PLS-RC

**The light will come with this remote controller.**

# Plusrite®

## LED SOLAR FLOOD LIGHT RANGE

### PRODUCT DETAILS



PLS-FL50W-6K/G/S



PLS-FL100W-6K/G/S



PLS-FL150W-6K/G/S

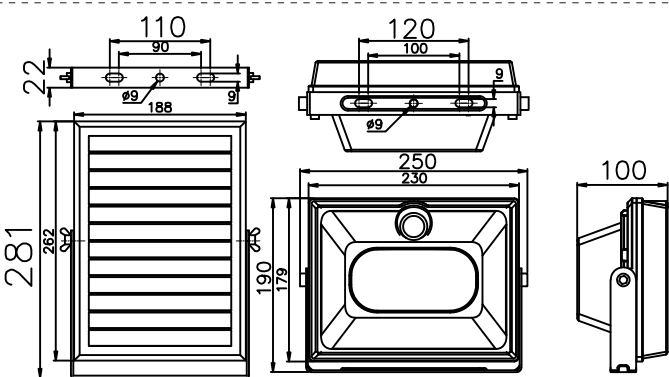
### Key Features

- Solar LED Flood light with Polycrystalline Solar panel
- No AC power cables, no electrical charges
- 5M length cable from the flood light to the solar panel
- Lithium battery, Remote controller included
- Build-in Motion sensor, Build-in dusk to dawn sensor

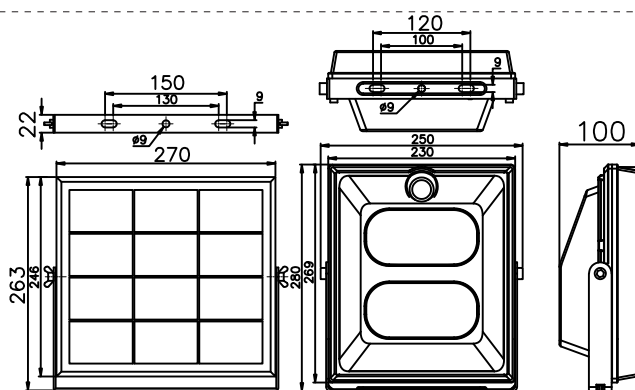
### PACKING DETAILS:

Product: PLS-FL100W-6K/G/S  
 PLS-FL150W-6K/G/S  
 Net Weight: 1.30 / 3.00 / 3.50 kg  
 Outer ctn size: 570\*430\*230mm  
 610\*420\*295mm  
 760\*420\*295mm  
 Q'ty per ctn: 10 / 6 / 6 pc  
 G.W per ctn: 15.00 / 19.50 / 23.50 kg

MODEL NUMBER	Wattage	Materials	LED CHIPS	LED Q'ty (pcs)	LUMENS	CCT	Solar Panel	Battery	Charging Time	Discharging Time	CRI	DIMMABLE	Warranty
PLS-FL50W-6K/G/S	50W	ABS	SMD5730	60	6000lm	6K	6V 5.5W	3.2V 12Ah	6-8 Hours	10-12 Hours	> 80	Yes	3 years
PLS-FL100W-6K/G/S	100W	ABS	SMD5730	120	12000lm	6K	6V 8.5W	3.2V 18Ah	6-8 Hours	10-12 Hours	> 80	Yes	3 years
PLS-FL150W-6K/G/S	150W	ABS	SMD5730	180	18000lm	6K	6V 11.5W	3.2V 24Ah	6-8 Hours	10-12 Hours	> 80	Yes	3 years
PLS-RC	Remote controller for LED solar street light, batten light and Flood light.												

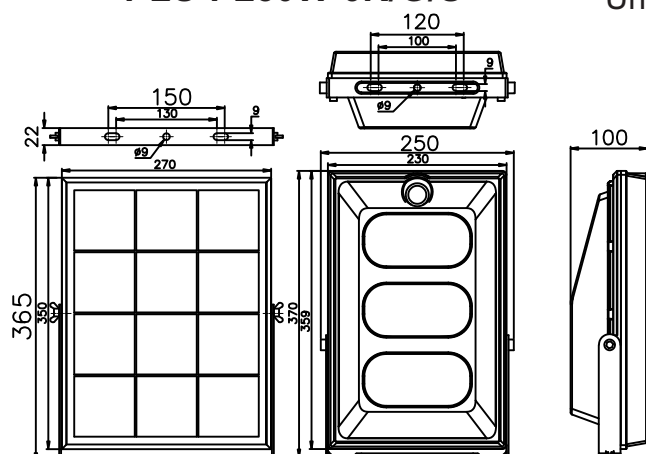


PLS-FL50W-6K/G/S



PLS-FL100W-6K/G/S

Unit: MM



PLS-FL150W-6K/G/S

### REMOTE CONTROLLER INSTRUCTION

**Changing Modes:** Press the ON button, the light will be on Mode 1, then press the MODE button, the light will be changing to Mode 2. Press the MODE button again, the light will be changing to Mode 1.

**Mode 1:** Motion sensor mode, starts with 100% lumen output then standby 30% lumen output if no motion after dusk.

**Mode 2:** Constant 100% brightness after dusk.

**4H & 6H button:** Hours lasting for the light is on after dusk, then turns off.

**ON button:** The light is on with mode 1.

**OFF button:** The light turns off.



PLS-RC

**The light will come with this remote controller.**

### PRODUCT DETAILS



**PLS-FL-12W-5K**

### Key Features

- 12W Solar LED Flood light
- No AC power cables, no electrical charges
- Die-Casting Aluminium body
- Polycrystalline Solar panel
- Lithium battery
- Build-in dusk to dawn sensor



### PACKING DETAILS:

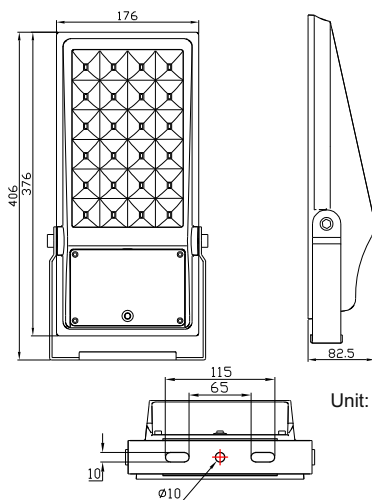
Product: **PLS-FL-12W-5K**

Net Weight: 2.50 kg

Outer ctn size: 500\*420\*230mm

Q'ty per ctn: 5 pc

G.W per ctn: 14.60 kg



Unit: MM

MODEL NUMBER	Wattage	Materials	LED CHIPS	LED Q'ty (pcs)	LUMENS	CCT	Solar Panel	Battery	Charging Time	Discharging Time	CRI	DIMMABLE	Warranty
PLS-FL-12W-5K	12W	Die-Casting Aluminium	SMD5730	24	1200lm	5K	5.5V 9.5W	20000mAh	6-8 Hours	10-12 Hours	> 80	No	3 years