

# Plusrite®

## LED SOLAR WALL LIGHT RANGE

### PRODUCT DETAILS



### Key Features

- 8W Solar LED Wall light
- No AC power cables
- No electrical charges
- Polycrystalline Solar panel
- Lithium battery
- Build-in dusk to dawn sensor
- Build-in Motion Sensor

### MOTION SENSOR INSTRUCTION

1. Press the ON/OFF button once. The light flashes once and works at motion sensor mode, standby 30% light output after 15 seconds if no motion after dusk.
2. Press the ON/OFF button again. The light flashes twice and works at constant 100% brightness mode after dusk.

### PACKING DETAILS:

Product: PLS-WL-8W-3K/6K  
 Net Weight: 0.58 kg      Q'ty per ctn: 18 pcs  
 Outer ctn size: 590\*465\*400mm      G.W per ctn: 11.50 kg

**PLS-WL-8W-3K/6K**

**This light is NOT CCT switchable, 6K in the front and 3K on the back to reflect on the wall.**

MODEL NUMBER	Wattage	Materials	LED CHIPS	LED Q'ty (pcs)	LUMENS	CCT	Solar Panel	Battery	Charging Time	Discharging Time	CRI	DIMMABLE	Warranty
PLS-WL-8W-3K/6K	8W	ABS+PMMA	SMD2835	36	800lm	3K 6K	5.5V 3.4W	3.7V 4.8AH	6-8 Hours	18-20 Hours	> 80	Yes	3 years

### PRODUCT DETAILS

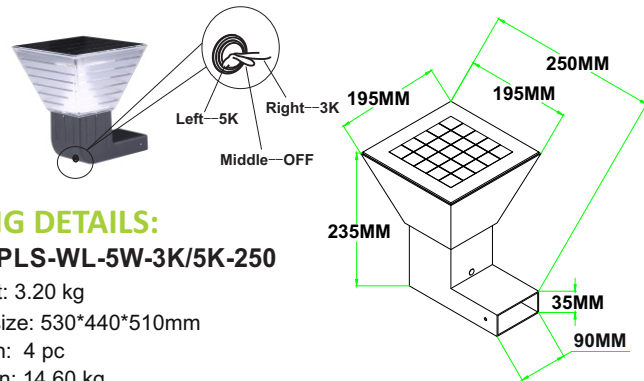


### Key Features

- 5W Solar LED Wall light
- No AC power cables, no electrical charges
- Aluminium body with Acrylic
- 3K or 5K colour changeable
- Polycrystalline Solar panel
- Lithium battery
- Build-in dusk to dawn sensor

### PACKING DETAILS:

Product: PLS-WL-5W-3K/5K-250  
 Net Weight: 3.20 kg  
 Outer ctn size: 530\*440\*510mm  
 Q'ty per ctn: 4 pc  
 G.W per ctn: 14.60 kg



**PLS-WL-5W-3K/5K-250**

MODEL NUMBER	Wattage	Materials	LED CHIPS	LED Q'ty (pcs)	LUMENS	CCT	Solar Panel	Battery	Charging Time	Discharging Time	CRI	DIMMABLE	Warranty
PLS-WL-5W-3K/5K-250	5W	Aluminium+Acrylic	SMD2835	30	500lm	3K/5K	5V 5W	5000mAh	6-8 Hours	10-12 Hours	> 80	No	3 years