

Plusrite®

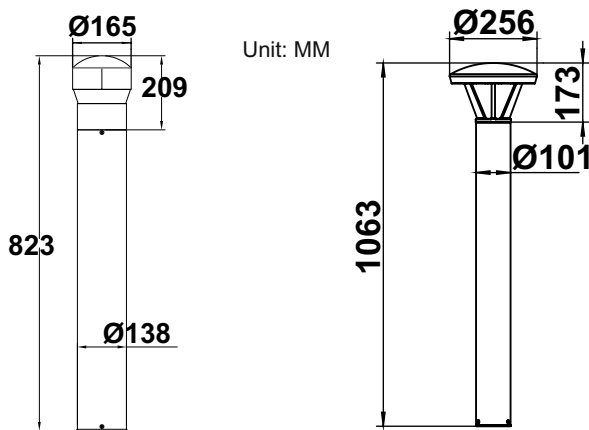
LED BOLLARD LIGHT



Key Features

- Power 10W 15W 18W switchable
- Colour temperature 3K 4K 5K switchable
- Aluminium body
- IP65 Rated for outdoor use
- LED Chips SMD 2835, Power factor 0.95.
- Durable powder coated finish

PLUS/B/18W/823MM PLUS/B/18W/1066MM



Applications

- Entryway Lighting
- Pathway Lighting
- Landscape

PLUS/B/18W/823MM comes with dusk to dawn sensor. You can ON or OFF the sensor when doing the installation.

INSTALLATION: Please refer to the installation manual.

TECHNICAL SPECIFICATIONS

Model.	LED TYPE	LED Q'ty (pcs)	Colour Temperature	Voltage (V)	Wattage (W)	Luminosity (lm)	Housing colour	Warranty	IP RATING	Dimmable
PLUS/B/18W/823MM	SMD2835	3K 60pcs 5K 60pcs	3K 4K 5K	120~277v	10W 15W 18W	1200lm 1800lm 2160lm	Black	3 years	IP65	NO
PLUS/B/18W/1066MM	SMD2835	3K 60pcs 5K 60pcs	3K 4K 5K	120~277v	10W 15W 18W	1200lm 1800lm 2160lm	Black	3 years	IP65	NO

3K 4K 5K CCT Switchable
10W 15W 18W Switchable
The switch is inside the light.



Dusk to Dawn Sensor



3K 4K 5K CCT Switchable
10W 15W 18W Switchable

PACKING DETAILS:

PLUS/B/18W/823MM HEAD / BASE

Net Weight: 2.63/5.26 kgs
Outer ctn size: 200*200*245mm
215*215*875mm
Q'ty per ctn: 1 / 1 pc
G.W per ctn: 3.06/6.12 kgs

PLUS/B/18W/1066MM

Net Weight: 4.80 kgs
Outer ctn size: 300*300*1095mm
Q'ty per ctn: 1 pc
G.W per ctn: 6.70 kgs