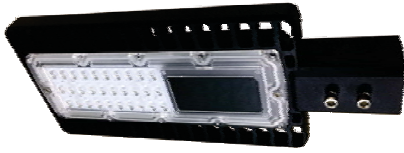


Plusrite®

LED MINI STREET LIGHT



FXTBSL30/5K



MT-PM-TB

(It is sold separately)

TECHNICAL SPECIFICATIONS

Model.	LED TYPE	LED Q'ty (pcs)	Colour Temperature	Voltage (V)	Beam Angle	Wattage (W)	Luminosity (lm)	CRI(Ra)	Suitable Pole Diameter	Warranty	IP RATING	Dimmable
FXTBSL30/5K	SMD2835	30pcs	5K	90~265V	Type II	30W	3000lm	>70	38~42mm	5 years	IP65	NO
MT-PM-TB	Bracket for FXTBSL30/5K											

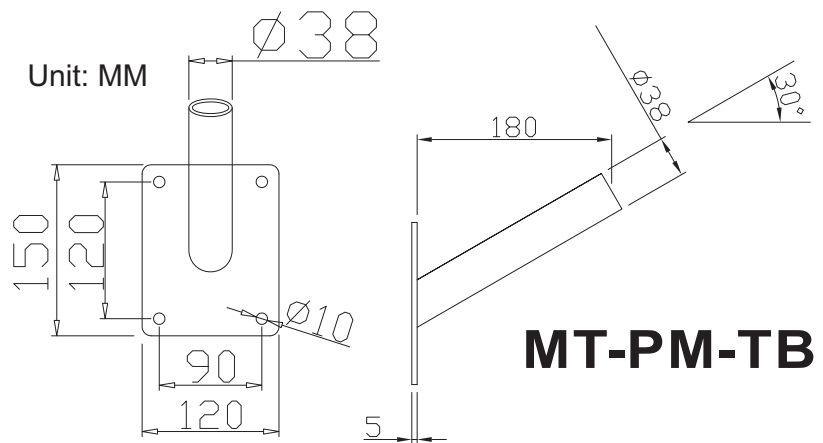
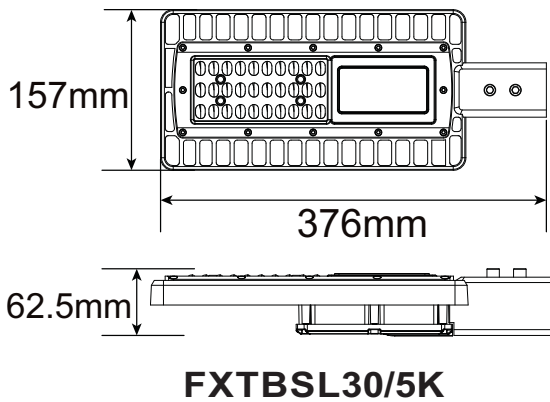
Key Features

- Excellent thermal design; Reducing Heat and extending life of LED chips.
- Long life, Unique design provides 50,000 hours life.
- IP65 Rated for outdoor use.
- Hardwired to the main power.
- SMD LED chips with high efficiency.
- 5 year warranty.

Applications

- Street Lighting
- Residential Areas
- Industrial Areas
- Bridges

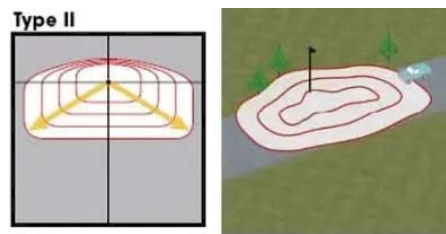
Product Dimension: (mm)



PACKING DETAILS:

Product: **FXTBSL30/5K**
 Net Weight: 1.35 kgs
 Outer ctn size: 395*340*380mm
 Q'ty per ctn: 10 pcs
 G.W per ctn: 15.80 kgs

Suitable for 38–42mm Diameter pole



Beam Angle: Type II